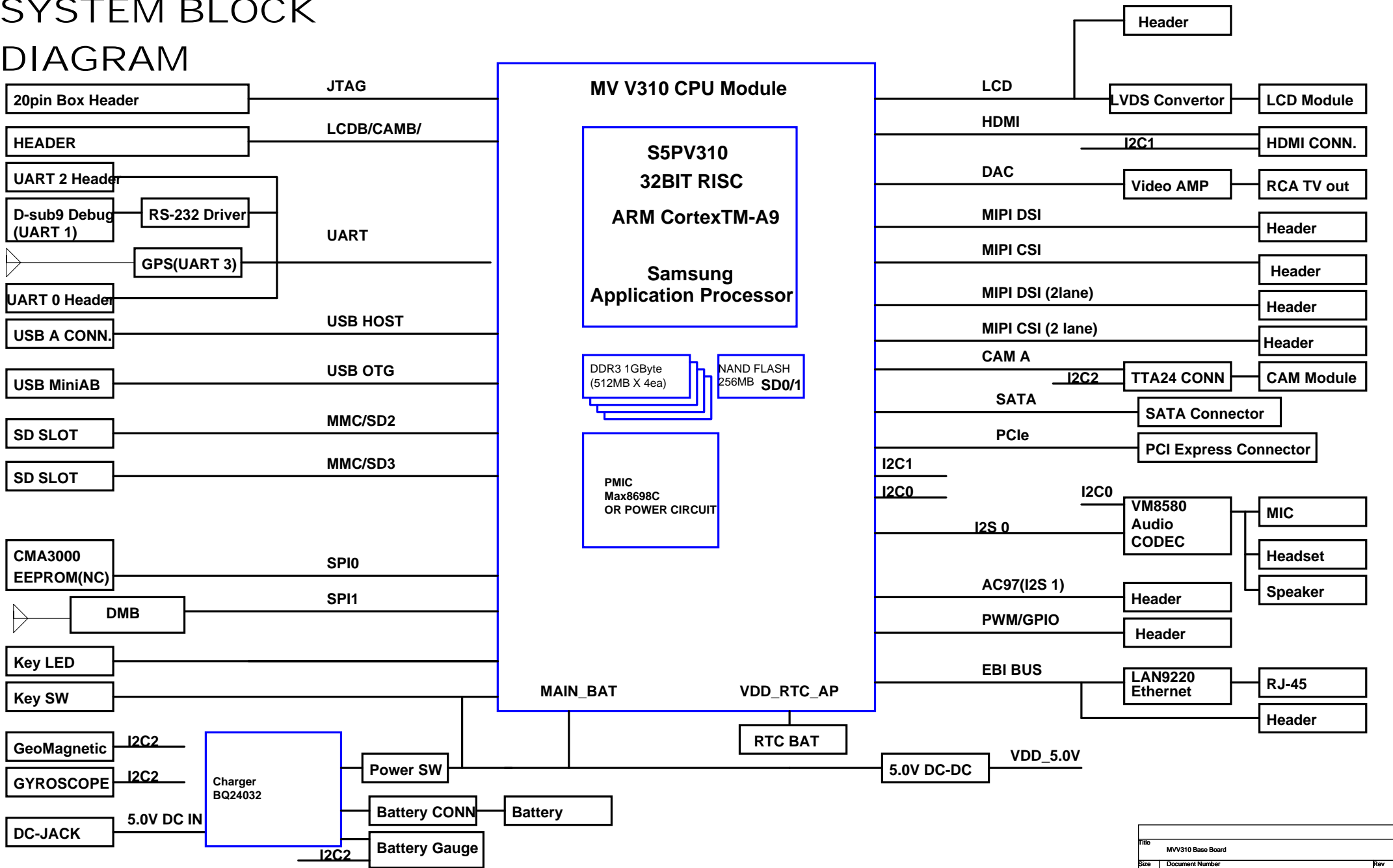


SYSTEM BLOCK DIAGRAM



Title		
MV310 Base Board		
Size	Document Number	Rev
	System Blockdiagram	V1.1
Date:	Thursday, July 07, 2011	Sheet 2 of 14