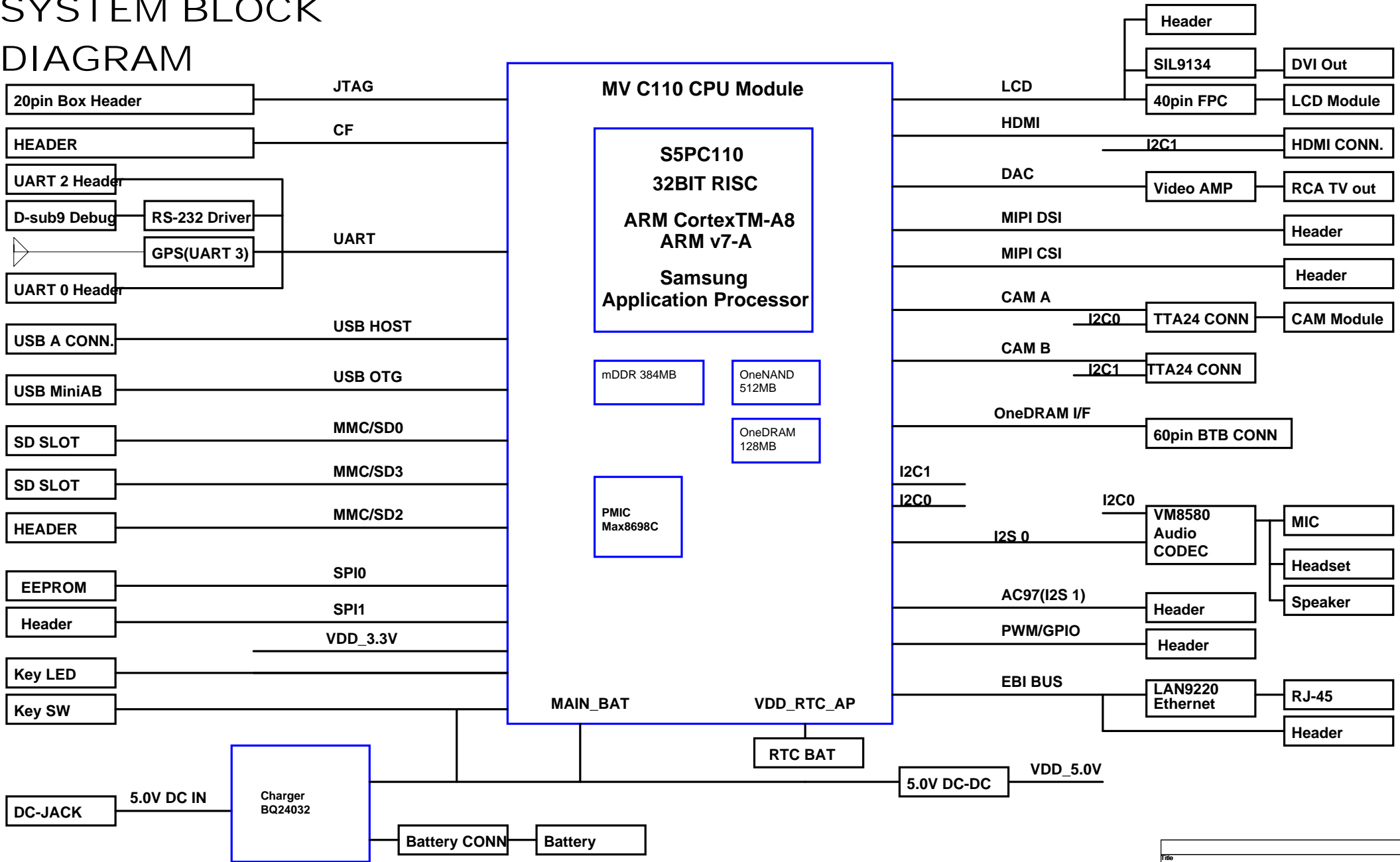


SYSTEM BLOCK DIAGRAM



Title			MVC110 Base Board		
Size	Document Number	System Blockdiagram		Rev	V1.1
Date:	Monday, August 09, 2010	Sheet	2	of	11